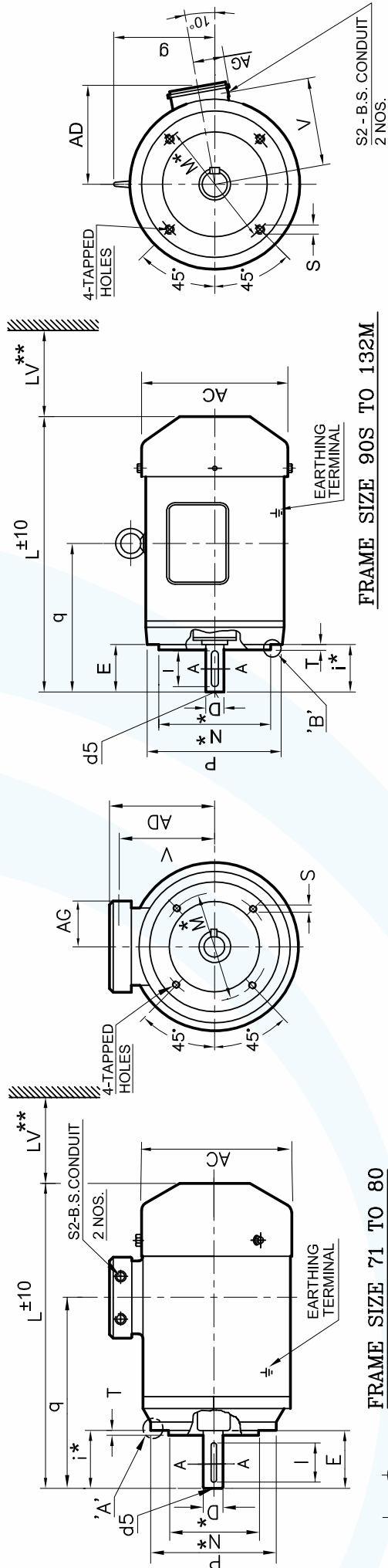


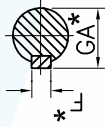
Dimensional Details: Brake Motors Type MB Face Mounted (B14) TEFC Series Frame 71-132M



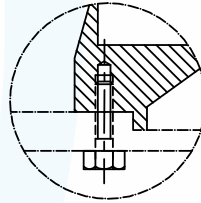
FRAME SIZE 90S TO 132M

FRAME SIZE 71 TO 80

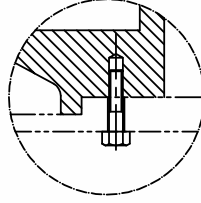
IEC Fr. size	Pole	FIXING			GENERAL			TERMINAL BOX			SHAFT											
		N	M	i*	S	T	AD	AC	L	g	LV	LV**	V	q	AG	B.S.C.	S2	D	E	F*	GA*	I
71	2,4 & 6	105	70	85	30	M6X10	2.5	145	140	279	—	30	104	143	53	3/4"	14	30	5	16	25	M5
80	2,4 & 6	120	80	100	40	M6X13	3	155	157	331	—	30	114	170	53	3/4"	19	40	6	21.5	35	M6
90S	2,4,6 & 8	140	95	115	50	M8X12	3	172	174	355	①	35	124	156	53	3/4"	24	50	8	27	45	M8
90L	2,4,6 & 8	140	95	115	50	M8X12	3	172	174	380	—	35	124	169	53	3/4"	24	50	8	27	45	M8
100L	2,4,6 & 8	160	110	130	60	M8X12	3.5	198	195	439	135	40	143	193	60	1"	28	60	8	31	55	M10
112M	4,6 & 8	160	110	130	60	M8X12	3.5	211	220	456	148	45	156	200	60	1"	28	60	8	31	55	M10
132S	2,4,6 & 8	250	180	215	80	M12X20	4	232	260	512	176	50	178	239	60	1"	38	80	10	41	70	M12
132M	2,4,6 & 8	250	180	215	80	M12X20	4	232	260	550	176	50	178	239	60	1"	38	80	10	41	70	M12



SECTION A-A



ENLARGEMENT OF CIRCLE 'A'



ENLARGEMENT OF CIRCLE 'B'

TABLE A

Dimension	Tolerance	Specification	Dimension	Tolerance	Specification
N	j6	IS : 2223	D	j6	IS : 1231
M	±0.3		k6	380	
i	±1	IS : 2048	GA,F	IS : 2048	IS : 2540
			d5(centering)		

* Refer TABLE A for tolerances

- ① Without Eye bolt
- Also suitable for V19 & v18 mounting as per IS 2253
- Key / key way fit : h9 / N9
- ** Minimum distance for efficient cooling of motor to be maintained by user

All Dimensions are in mm unless otherwise specified.
CAT-B-7113-4-1